

System	HFMP (Monopod) + HFMP Carrying case		
Payload	8 kg / 17.6 lb (*1)	Camera screw	3/8-16UNC
Weight	1.8 kg / 4.0 lb	Tilt-Pan angle	Tilt: $\pm 20^\circ$ (When unlocked), Pan: $360^\circ$
Height	① H : 1760 mm W : 380 mm ( ※Reference )	Pipe diameters	Upper: $\varnothing 34$ mm / middle: $\varnothing 29.5$ mm / Lower: $\varnothing 25$ mm
	② H : 740 mm W : 380 mm ( " )	Section	2 STAGE
Folded length	③ L : 735 mm ( " )	Monopod fixation	Fixing flip lock levers
	L : 622 mm (Shortest length for carrying)	Pipe materials	Aluminum

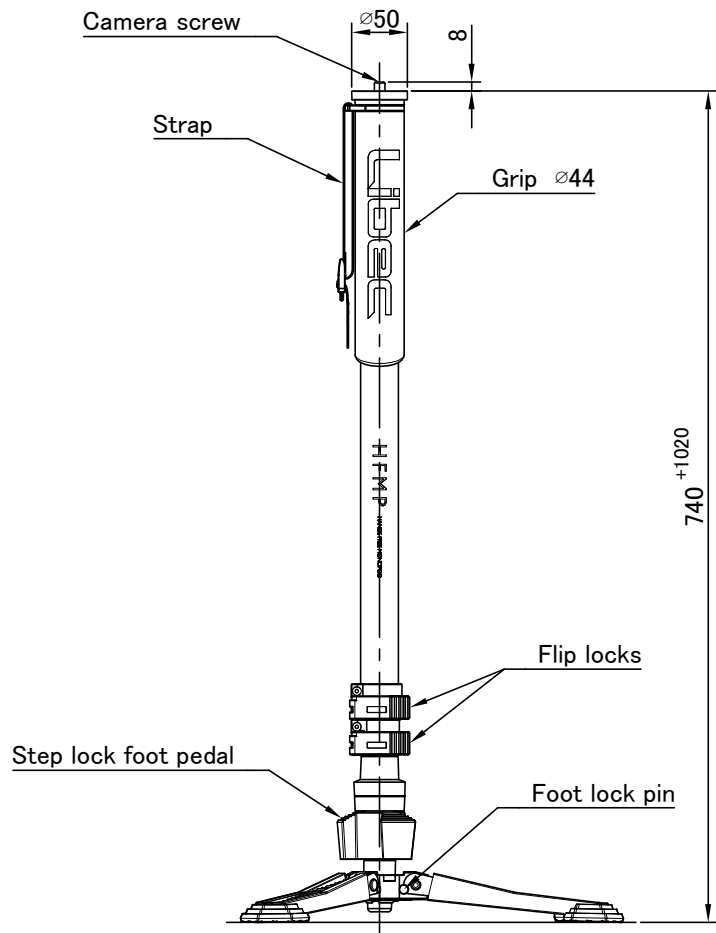
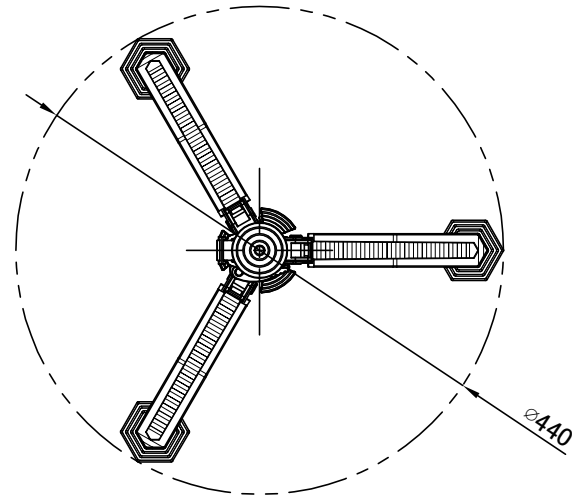
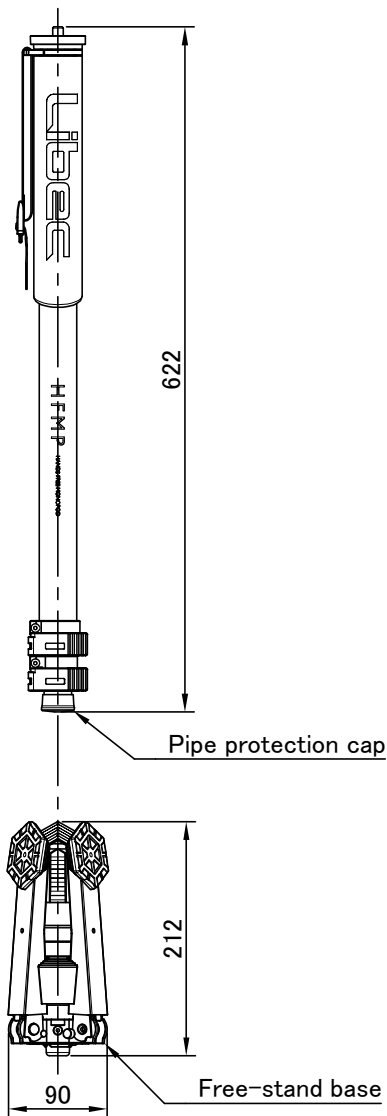
### Remarks

(\*1) The monopod's maximum payload does not guarantee a monopod's free-stand position.

Do not use the monopod without the free-stand base, this may cause damage to product.

### Exterior Dimensions (mm)

#### Shortest length for carrying



※: Reference

